

PRESSURE SCOUT

Intrinsically Safe Wireless Pressure Sensor

PRESSURE ALARM REPORTING

CLASS 1 DIVISION 1 CERTIFIED

EASY TO INSTALL

LOW COST ALTERNATIVE

HIGH PERFORMANCE & LONG BATTERY LIFE

WIRELESS CONFIGURATION



FEATURES

- Powers integrated pressure sensor and radio for years with an internal battery
- Class 1 Division 1 Intrinsically safe system
- Rugged design for outdoor environments
- Up to ½ mile range
- ½" NPT Process connection standard
- Rapid pressure sampling with configurable alarms and report by exception
- Extremely low power and long battery life
- Compact and simple to install and maintain
- Available in standard pressure ranges
- Pushbutton or remote zeroing

PRESSURE SENSOR

PERFORMANCE AT 77°F / 25°C

Accuracy: ±0.25% BFSL

≤ ± 0.5% BFSL (>10,000 PSI)

Stability (1 year): ±0.25% FS, typical

Over Range Protection: 2X Rated Pressure, Minimum

Burst Pressure: 5X or 40,000 PSI (whichever is less)

Pressure Cycles: >100 Million

Process Connection: 1/2" NPTM 316L Stainless Steel Standard

F250C Autoclave for pressure >10,000 psi

Other process connections/material available

Standard Pressure Ranges: 0-100 psi, 0-500 psi, 0-1000 psi, 0-3000 psi,
0-5000 psi, 0-10,000 psi, 0-15,000 psi, 20,000 psi

Low Pressure Ranges: 0-2 psi, 0-20 psi

THERMAL LIMITS

Operating Range: -40 to +176°F (-40 to +80°C)

Compensated Range: 5°F to 150°F (-15°C to +65°C)

TC Zero: <±1% of FS

TC Span: <±1% of FS



PRESSURE SCOUT

Intrinsically Safe Wireless Pressure Sensor

TECHNICAL SPECIFICATIONS

Operating Temp: -40 to +176°F (-40°C to 80°C)

Humidity: 0% – 100% condensing

Power: 19Ah – SignalFire 1BIS Lithium Thionyl Chloride Battery Pack. Field Replaceable. Class 1 Division 1 Certified.

Battery Life: 1 -10+ years depending on reporting frequency. *Battery Life Examples: 5-second pressure sample interval with a 1-minute reporting interval = 5 years. 2-minute sample and reporting interval = 10+ years*

Data Interface: Wireless – available as Modbus registers at Gateway

Transmit Data by Exception: Configurable minimum and maximum alarm pressure thresholds, pressure sample rate 5 seconds minimum.

Data Update Rates: User-selectable. 5 seconds to 1 hour.

Range: Up to 1/2 mile

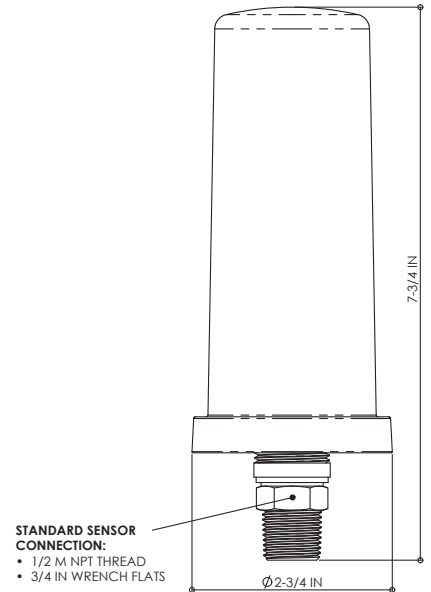
Radio Power: 40 mW

Receive Sensitivity: -109 dB

Radio Frequency: 902–928 MHz, FHSS, license-free ISM Band Compliant with FCC Part 15 in Industry Canada.

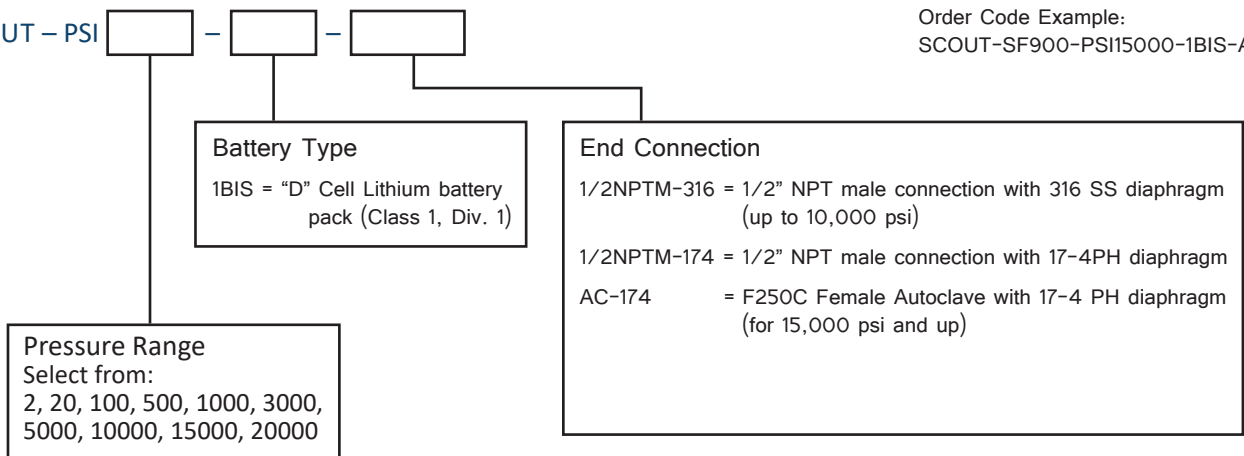
Intrinsically Safe: Class 1 Division 1, Temp Code T3, Groups C&D. Conforms to UL Std. 913, Certified to Can/CSA Std C22.2 No. 157

Internal Diagnostics: Battery voltage, signal strength, error conditions



HOW TO ORDER

SCOUT – PSI [] – [] – []



Order Code Example:
SCOUT-SF900-PSI15000-1BIS-AC174