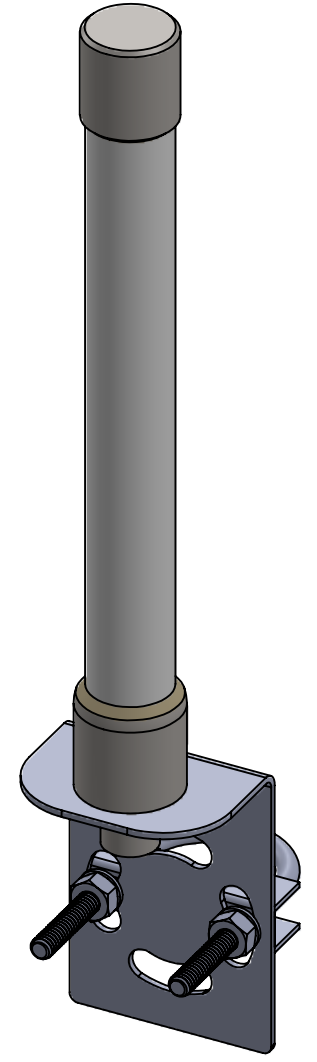
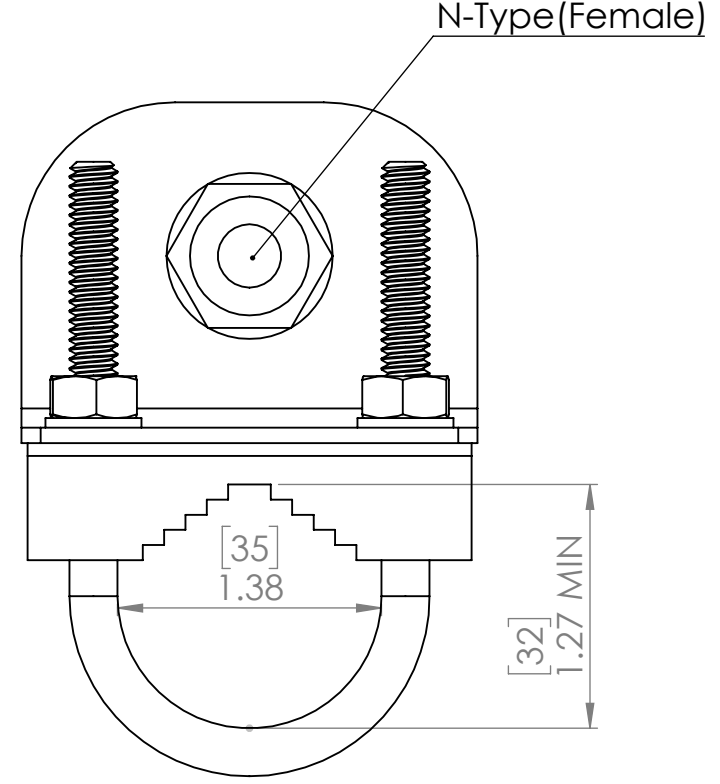
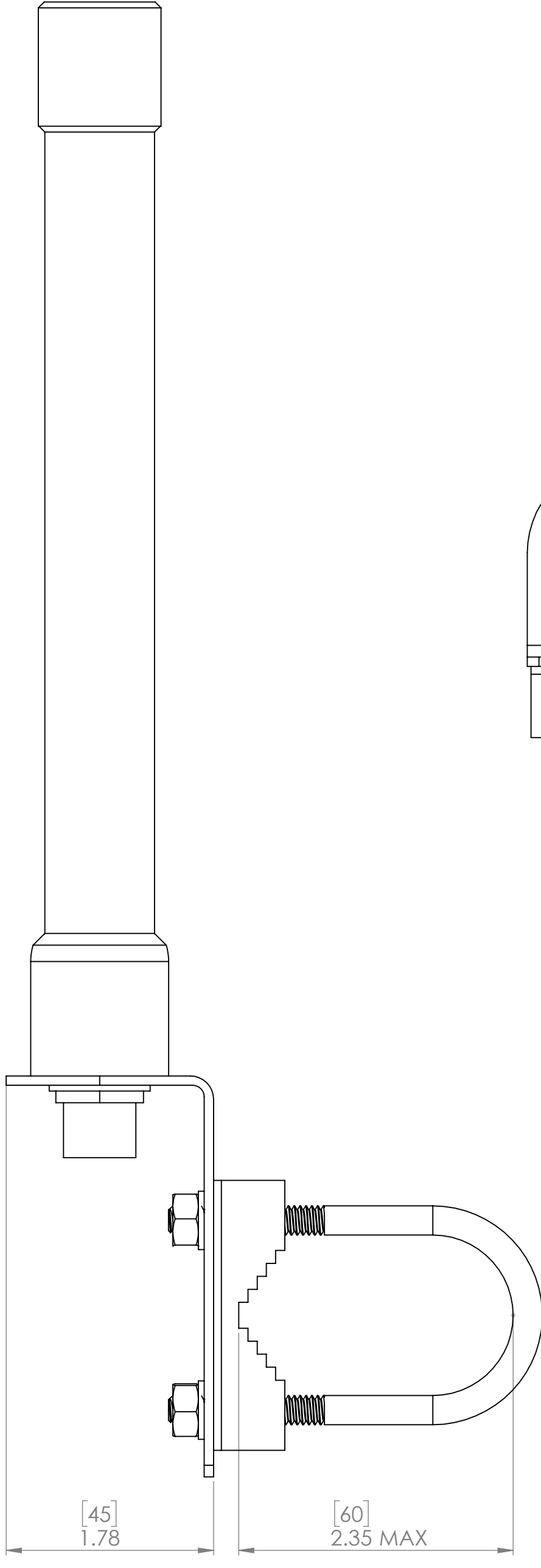
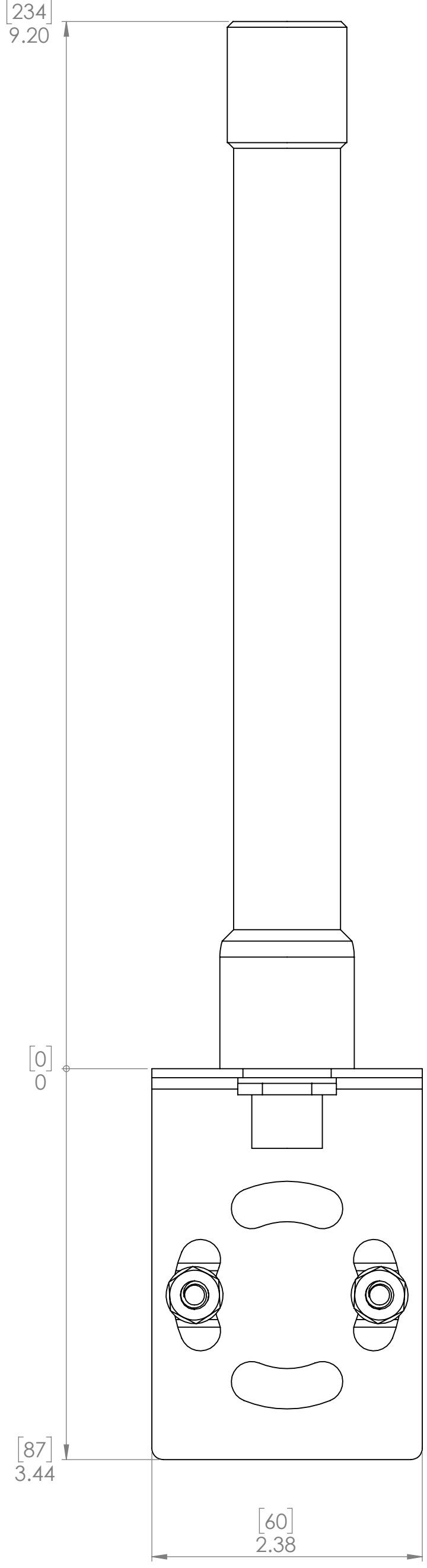


| REVISIONS | | | | |
|-----------|------|-----------------|-----------|-------------|
| ZONE | REV. | DESCRIPTION | DATE | APPROVED |
| | A | INITIAL RELEASE | 9/23/2021 | S. BLODGETT |



| Specifications | | |
|------------------|--------------------------------------|---------------|
| Order code | ANT-LTE-OMNI-10 | |
| Frequency | 698~960 MHz | 1710~2690 MHz |
| Gain | 2 dBi | 4 dBi |
| V.S.W.R. | < 3.4 | < 2.5 |
| Impedence | 50 OHM | |
| Material | Fiberglass, White, UV | |
| Cable | 10 Feet[3M], KSR195 Low Loss Coaxial | |
| Cable Connectors | N-type(Male) - Right Angle SMA(Male) | |

| | | |
|--------------------------------------|-----------|---------------------|
| UNLESS OTHERWISE SPECIFIED: | NAME | DATE |
| DIMENSIONS ARE IN INCHES | DRAWN | S.BLODGETT 5/1/2019 |
| TOLERANCES: | CHECKED | |
| FRACTIONAL ± 1/64 | ENG APPR. | |
| ANGULAR: MACH ± 1/2° | MFG APPR. | |
| TWO PLACE DECIMAL ± .01 | Q.A. | |
| THREE PLACE DECIMAL ± .005 | COMMENTS: | |
| INTERPRET GEOMETRIC TOLERANCING PER: | | |
| MATERIAL | | |
| FINISH | | |
| DO NOT SCALE DRAWING | | |

PROPRIETARY AND CONFIDENTIAL
 THE INFORMATION CONTAINED IN THIS DRAWING IS THE SOLE PROPERTY OF SIGNALFIRE TELEMETRY. ANY REPRODUCTION IN PART OR AS A WHOLE WITHOUT THE WRITTEN PERMISSION OF SIGNALFIRE TELEMETRY IS PROHIBITED.

| | |
|---------------------------------|-----------------|
| SignalFire Telemetry | |
| TITLE: Remote LTE ANT | |
| DWG. NO. 965-0040-01 | REV A |
| SCALE 1:1 | SHEET 1 OF 1 |