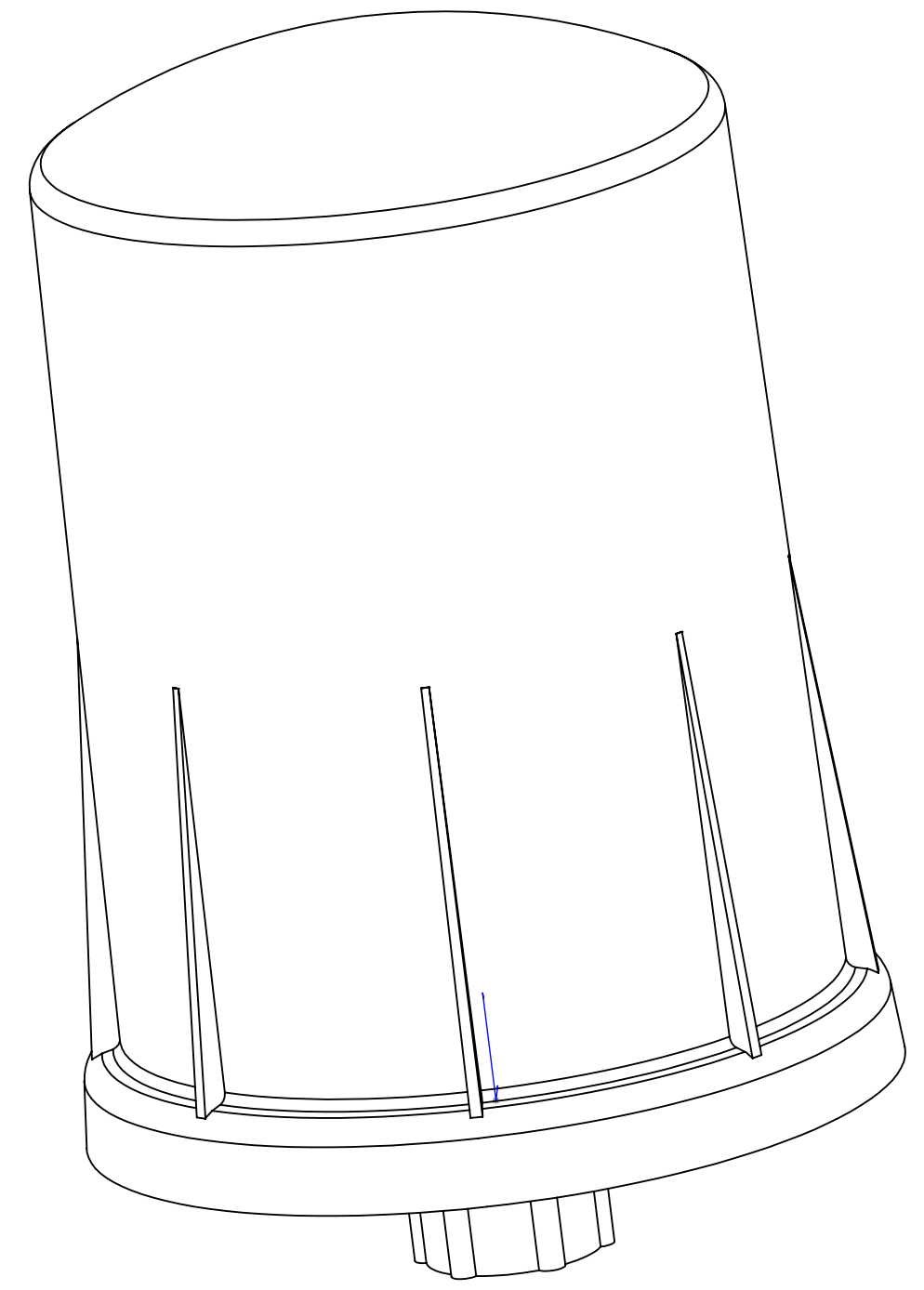
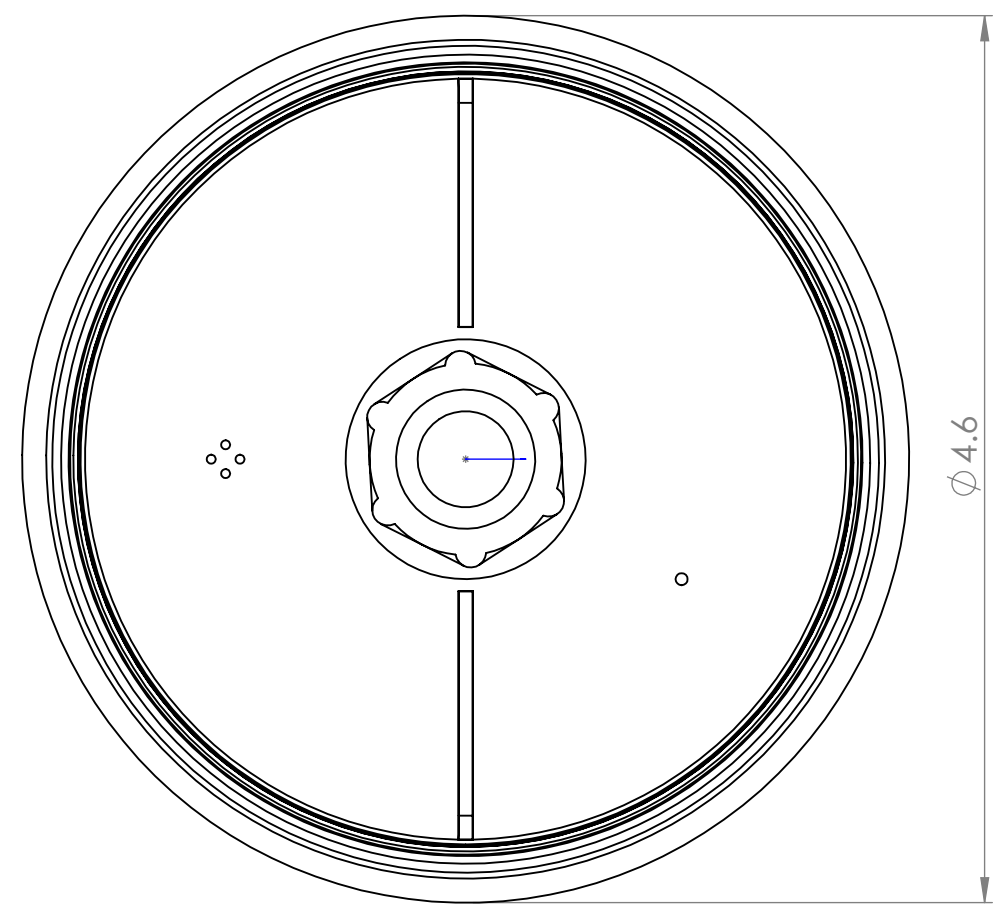
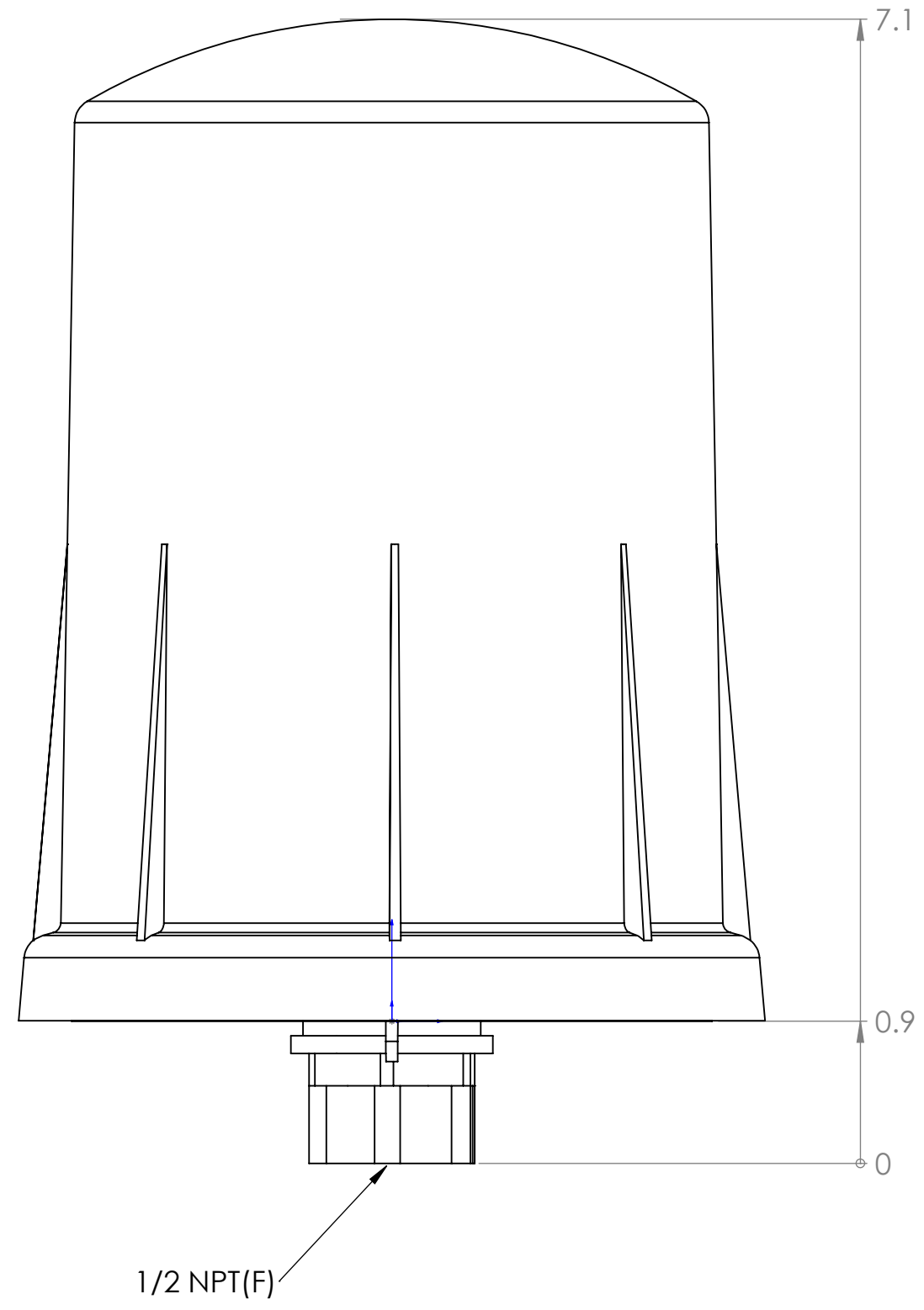


REVISIONS				
ZONE	REV.	DESCRIPTION	DATE	APPROVED
	A	INITIAL RELEASE	9/25/2019	S. BLODGETT



**PROPRIETARY AND CONFIDENTIAL**  
 THE INFORMATION CONTAINED IN THIS DRAWING IS THE SOLE PROPERTY OF SIGNALFIRE TELEMETRY. ANY REPRODUCTION IN PART OR AS A WHOLE WITHOUT THE WRITTEN PERMISSION OF SIGNALFIRE TELEMETRY IS PROHIBITED.

UNLESS OTHERWISE SPECIFIED:	NAME	DATE
DIMENSIONS ARE IN INCHES	DRAWN S.BLODGETT	6/12/19
TOLERANCES:	CHECKED	
FRACTIONAL ± 1/64	ENG APPR.	
ANGULAR: MACH. 1° BEND ± 1/2°	MFG APPR.	
TWO PLACE DECIMAL ± .01	Q.A.	
THREE PLACE DECIMAL ± .005	COMMENTS:	
INTERPRET GEOMETRIC TOLERANCING PER:		
MATERIAL		
FINISH		
DO NOT SCALE DRAWING		

SignalFire Telemetry	
TITLE:	
RANGER	
DWG. NO.	REV
965-0026-01	A
SCALE 1:1	SHEET 1 OF 1