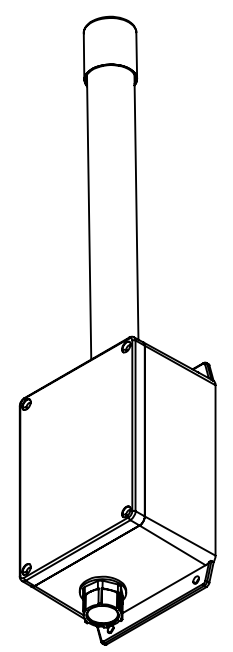
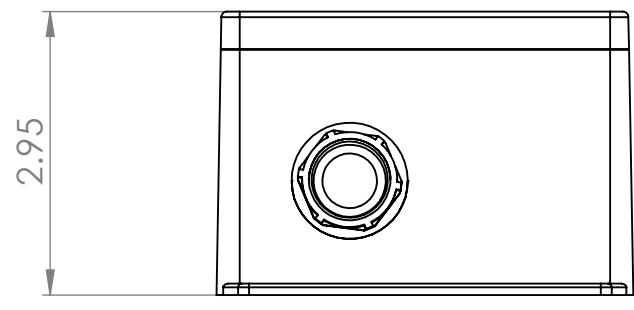
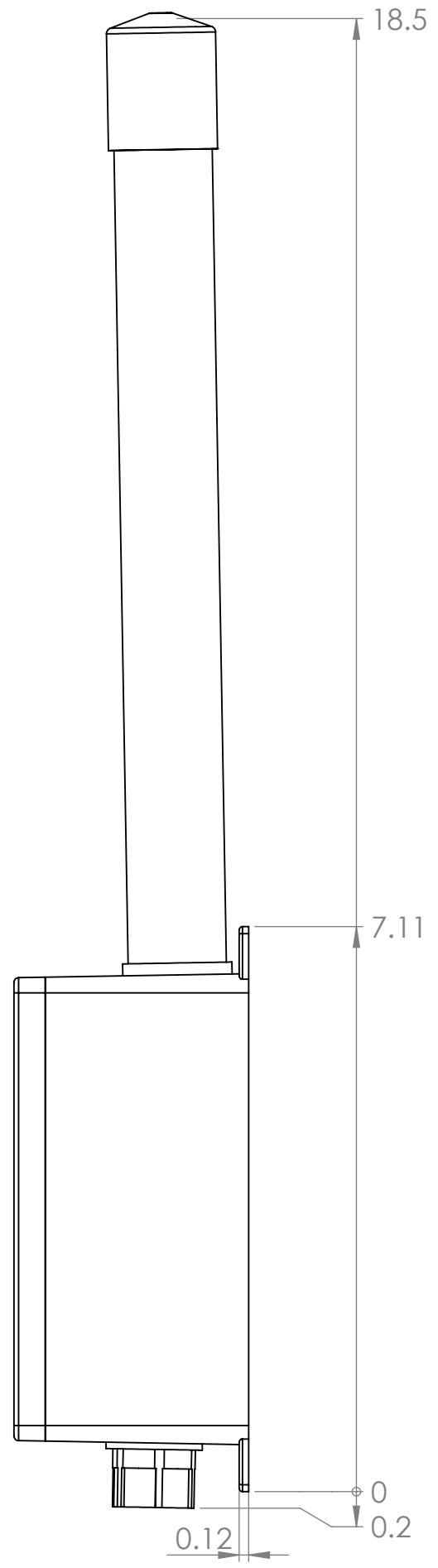
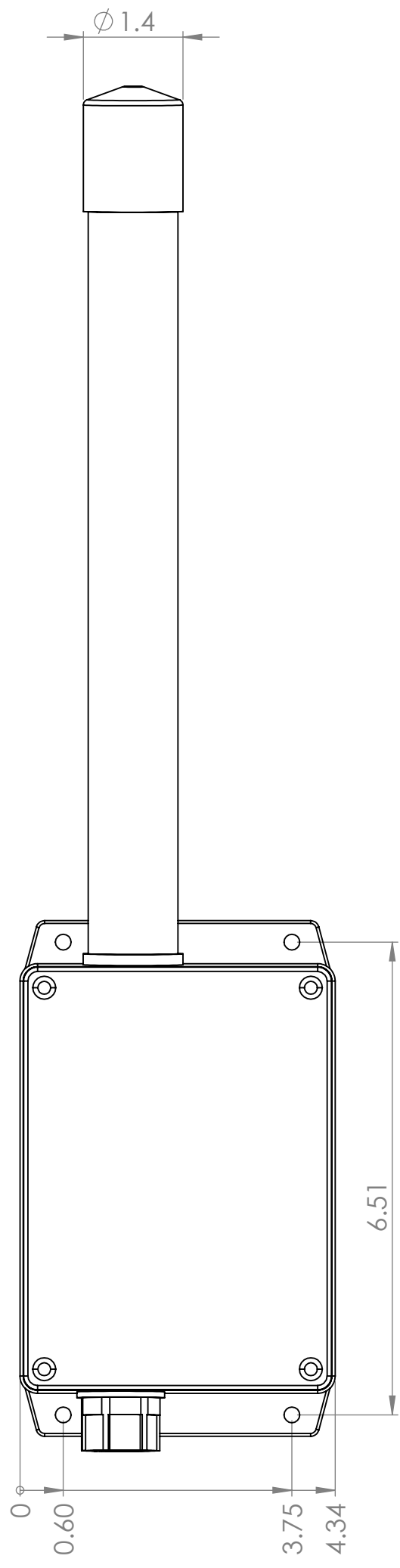


REVISIONS			
REV.	DESCRIPTION	DATE	APPROVED
A	ASSEMBLY DRAWING	5/21/2019	S. BLODGETT

F
E
D
C
B
A

F
E
D
C
B
A



PROPRIETARY AND CONFIDENTIAL
THE INFORMATION CONTAINED IN THIS DRAWING IS THE SOLE PROPERTY OF SIGNALFIRE TELEMETRY. ANY REPRODUCTION IN PART OR AS A WHOLE WITHOUT THE WRITTEN PERMISSION OF SIGNALFIRE TELEMETRY IS PROHIBITED.

UNLESS OTHERWISE SPECIFIED:	NAME	DATE
DIMENSIONS ARE IN INCHES	DRAWN	S.BLODGETT 5/1/2019
TOLERANCES:	CHECKED	
FRACTIONAL $\pm 1/64$	ENG APPR.	
ANGULAR: MACH. $\pm 1/2^\circ$	MFG APPR.	
TWO PLACE DECIMAL $\pm .01$	Q.A.	
THREE PLACE DECIMAL $\pm .005$	COMMENTS:	
INTERPRET GEOMETRIC TOLERANCING PER:		
MATERIAL		
FINISH		
DO NOT SCALE DRAWING		

SignalFire Telemetry	
TITLE:	A2
DWG. NO.	965-0023-01
SCALE	1:5
REV	A
SHEET 1 OF 1	

8 7 6 5 4 3 2 1