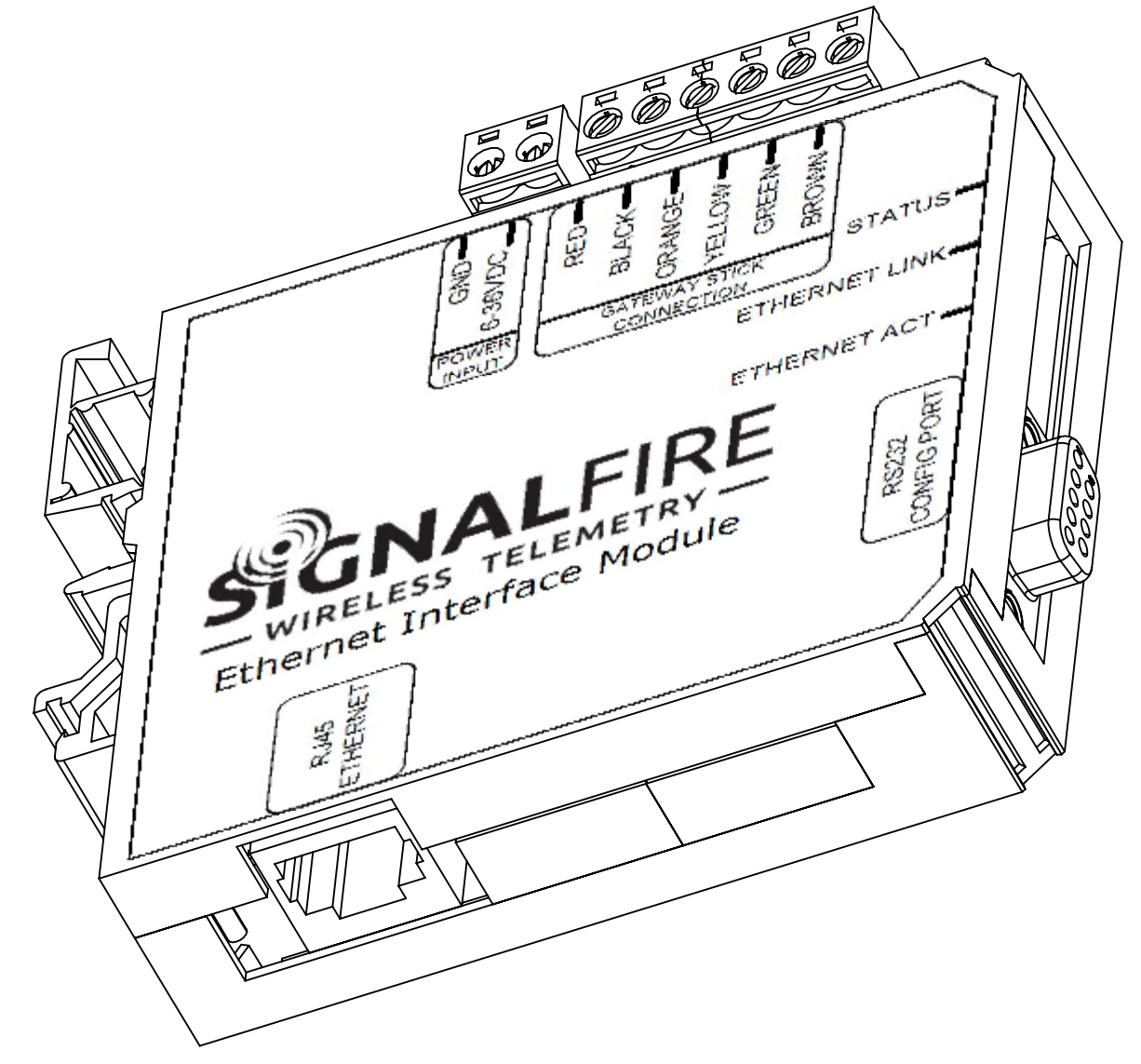
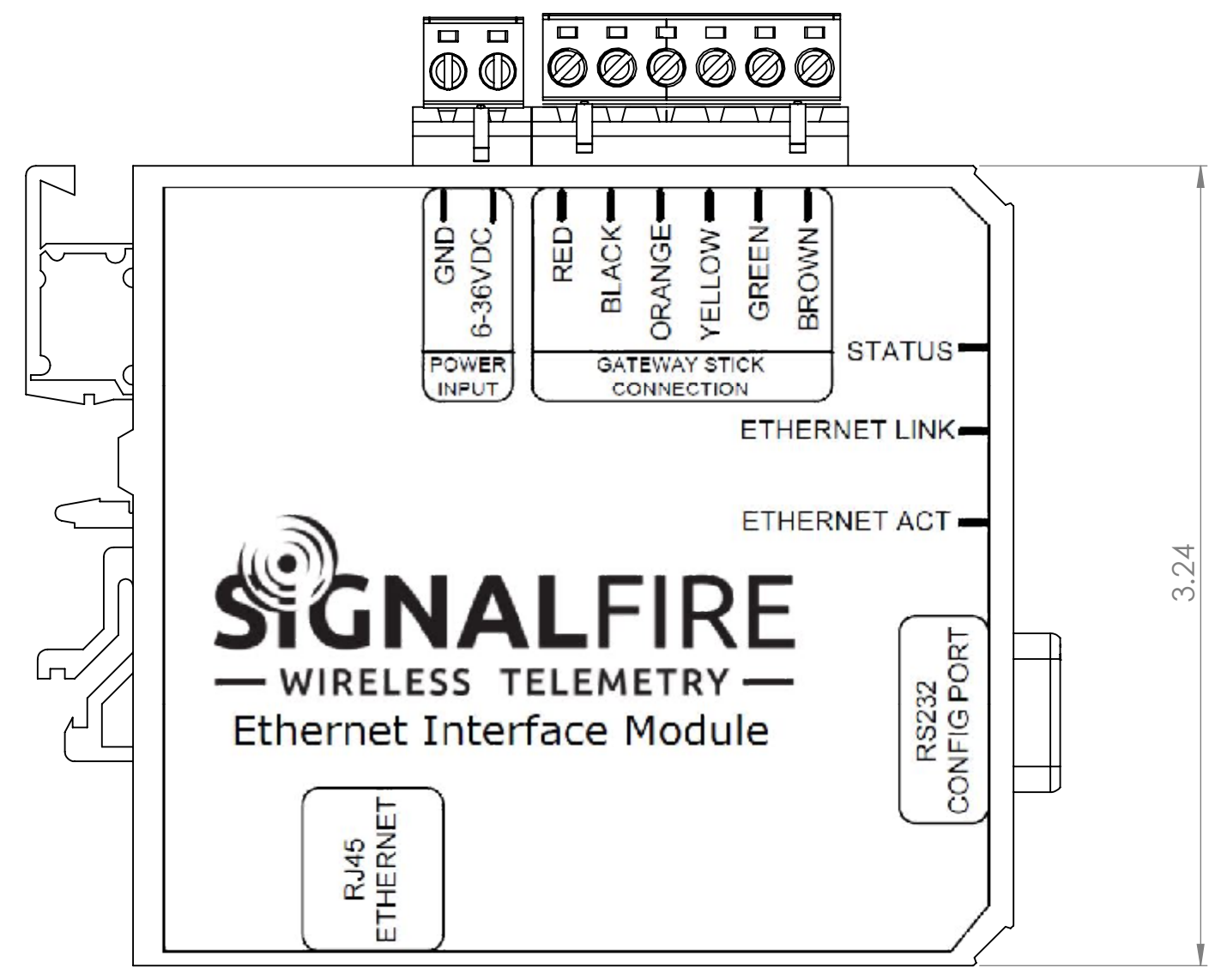
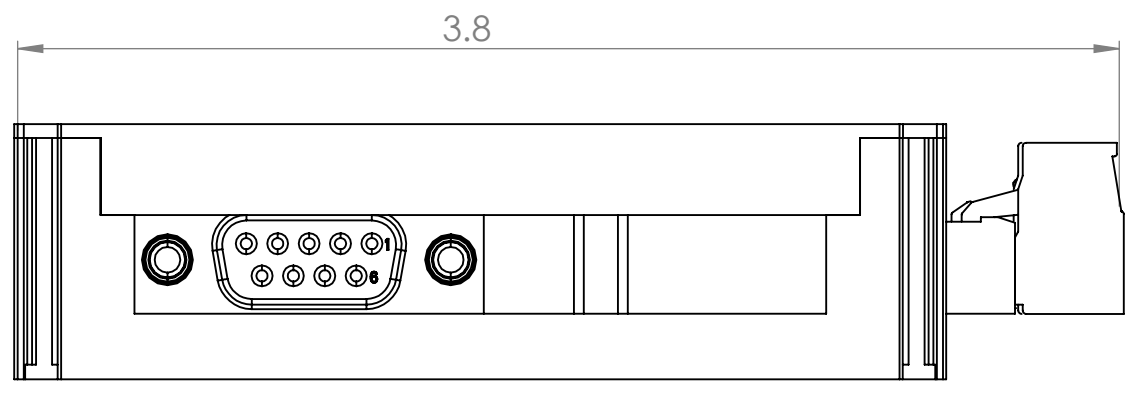
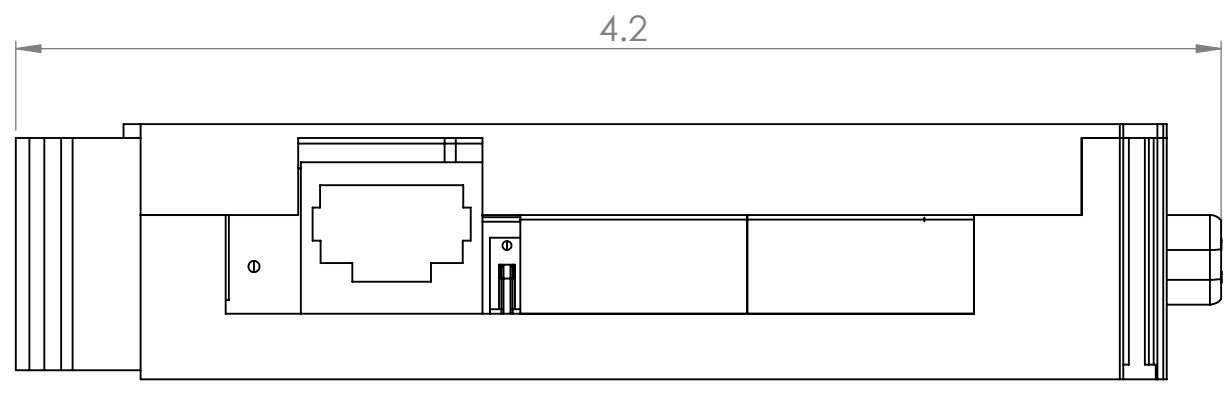


REVISIONS			
REV.	DESCRIPTION	DATE	APPROVED
A	ASSEMBLY DRAWING	5/1/2019	S. BLODGETT



UNLESS OTHERWISE SPECIFIED:		NAME	DATE	SignalFire Telemetry	
DIMENSIONS ARE IN INCHES		DRAWN	S. BLODGETT 5/1/2019		TITLE: ETHERNET GATEWAY MODULE
TOLERANCES:		CHECKED			
FRACTIONAL: ± 1/64		ENG APPR.			
ANGULAR: MACH: 1° BEND ± 1/2°		MFG APPR.			
TWO PLACE DECIMAL ± .01		Q.A.			
THREE PLACE DECIMAL ± .005		COMMENTS:		DWG. NO. 965-0017-01	
PROPRIETARY AND CONFIDENTIAL THE INFORMATION CONTAINED IN THIS DRAWING IS THE SOLE PROPERTY OF SIGNALFIRE TELEMETRY. ANY REPRODUCTION IN PART OR AS A WHOLE WITHOUT THE WRITTEN PERMISSION OF SIGNALFIRE TELEMETRY IS PROHIBITED.		DO NOT SCALE DRAWING		REV A	
		SCALE 1.5:1		SHEET 1 OF 1	