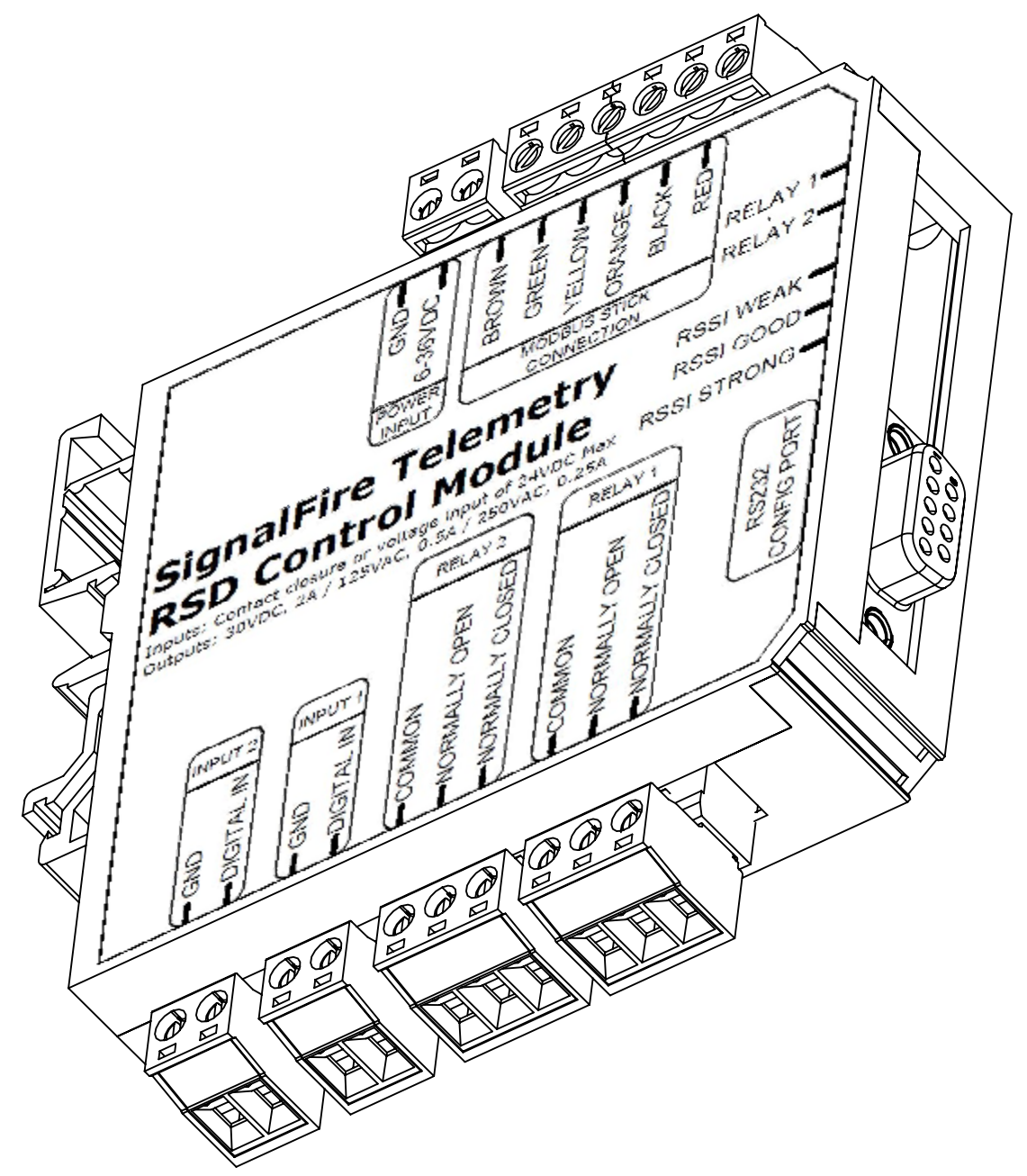
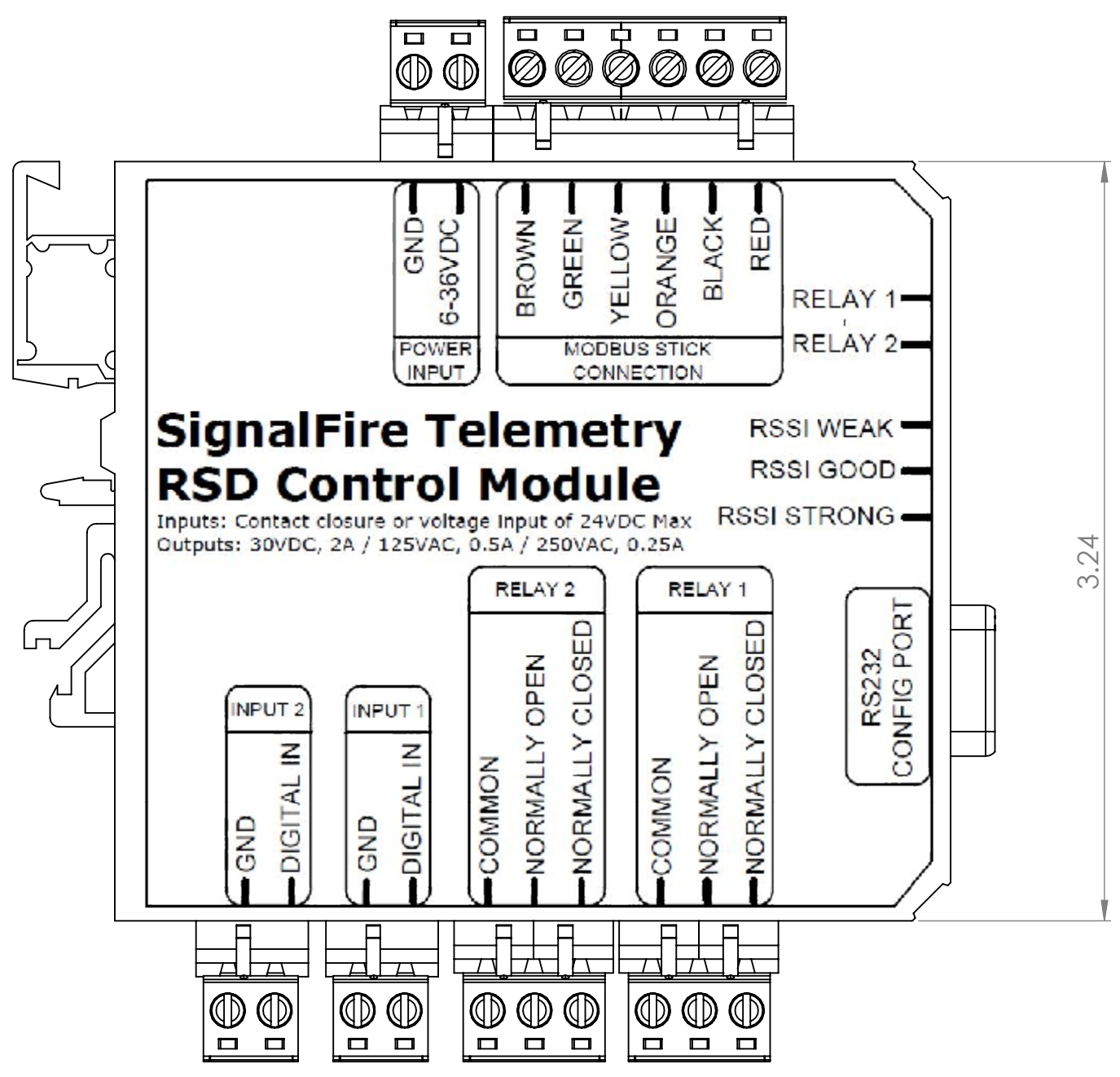
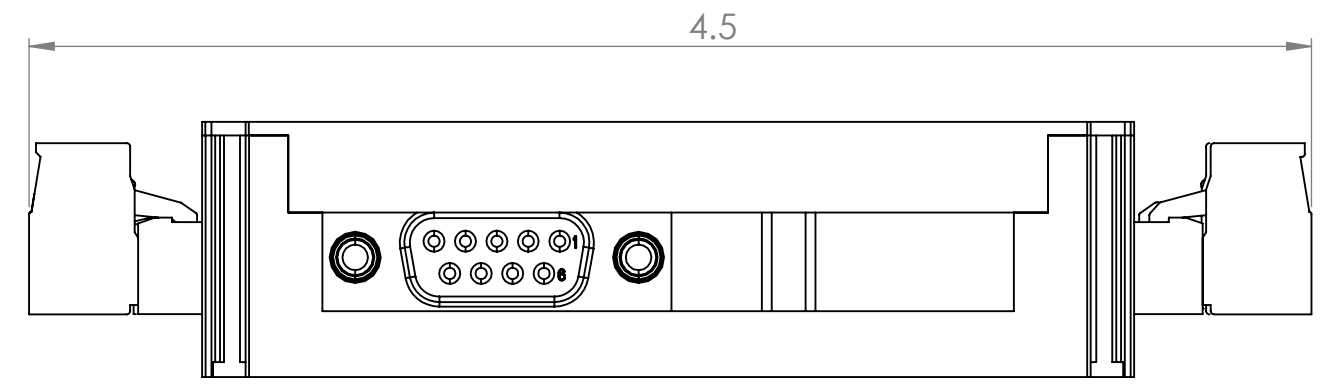
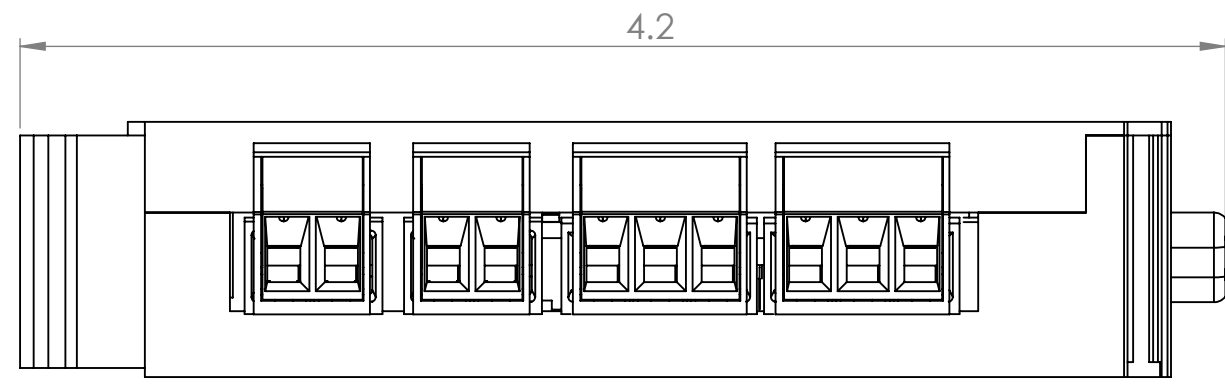


REVISIONS			
REV.	DESCRIPTION	DATE	APPROVED
A	ASSEMBLY DRAWING	5/1/2019	S. BLODGETT



UNLESS OTHERWISE SPECIFIED: DIMENSIONS ARE IN INCHES TOLERANCES: FRACTIONAL: ± 1/64 ANGULAR: MACH: 1° BEND ± 1/2° TWO PLACE DECIMAL ± .01 THREE PLACE DECIMAL ± .005 INTERPRET GEOMETRIC TOLERANCING PER: MATERIAL FINISH DO NOT SCALE DRAWING	DRAWN: S. BLODGETT CHECKED: ENG APPR.: MFG APPR.: Q.A.: COMMENTS:	NAME: S. BLODGETT DATE: 5/1/2019	SignalFire Telemetry TITLE: RSD SMART IO MODULE DWG. NO. 965-0016-01 SCALE 1.5:1	REV A SHEET 1 OF 1
	PROPRIETARY AND CONFIDENTIAL THE INFORMATION CONTAINED IN THIS DRAWING IS THE SOLE PROPERTY OF SIGNALFIRE TELEMETRY. ANY REPRODUCTION IN PART OR AS A WHOLE WITHOUT THE WRITTEN PERMISSION OF SIGNALFIRE TELEMETRY IS PROHIBITED.			TITLE: RSD SMART IO MODULE
	DWG. NO. 965-0016-01 SCALE 1.5:1			REV A SHEET 1 OF 1
	UNLESS OTHERWISE SPECIFIED: DIMENSIONS ARE IN INCHES TOLERANCES: FRACTIONAL: ± 1/64 ANGULAR: MACH: 1° BEND ± 1/2° TWO PLACE DECIMAL ± .01 THREE PLACE DECIMAL ± .005 INTERPRET GEOMETRIC TOLERANCING PER: MATERIAL FINISH DO NOT SCALE DRAWING			TITLE: RSD SMART IO MODULE DWG. NO. 965-0016-01 SCALE 1.5:1