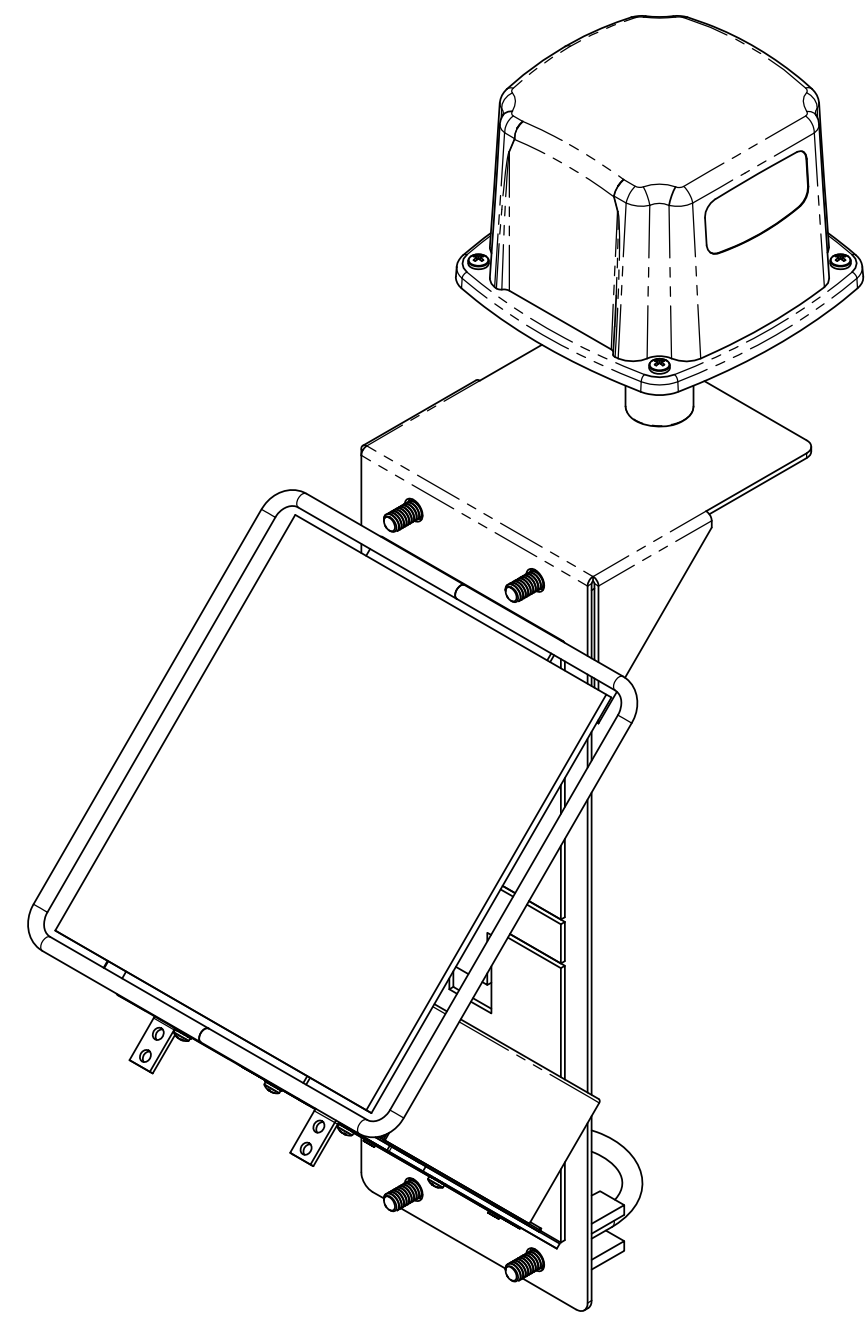
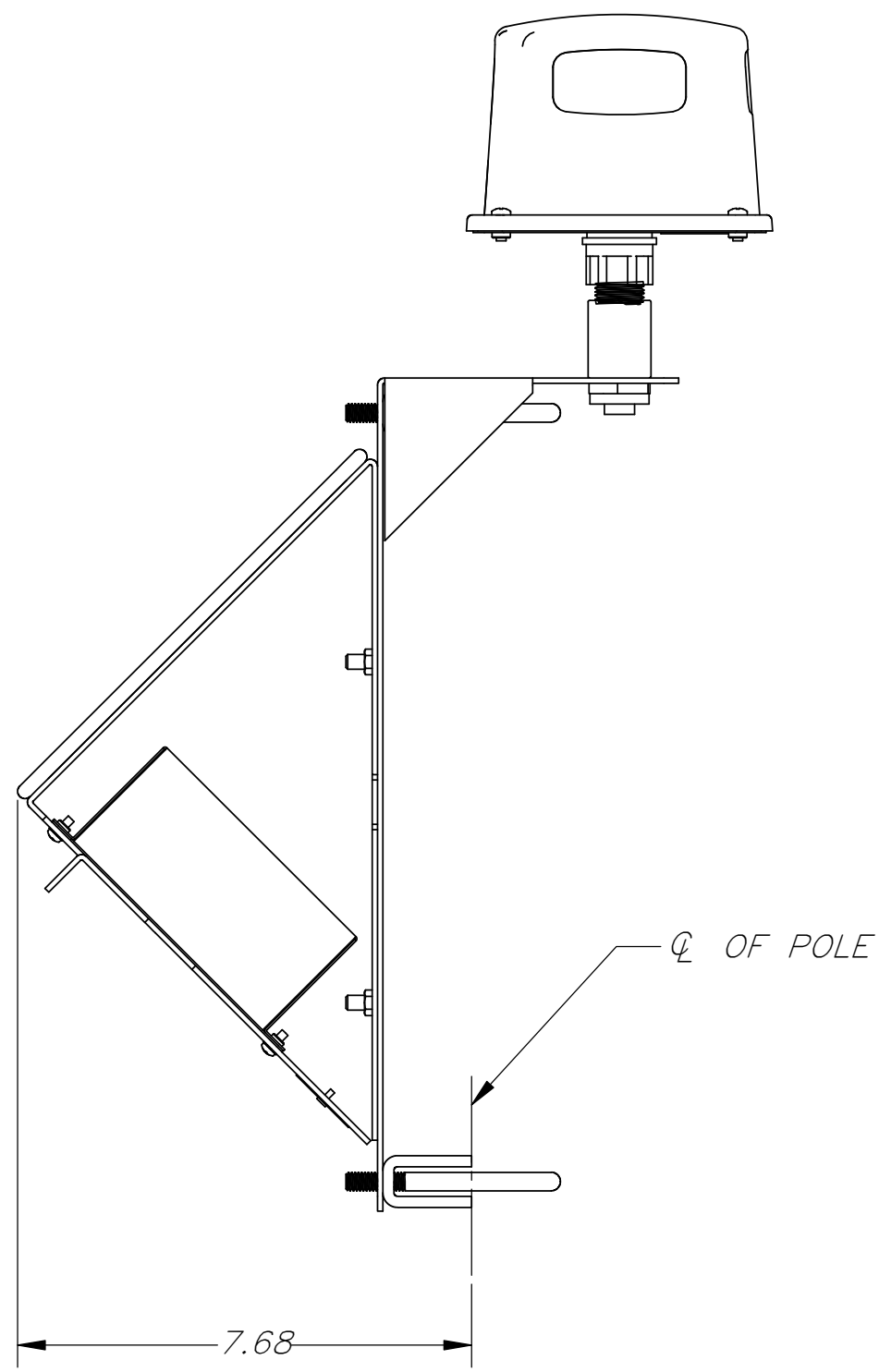
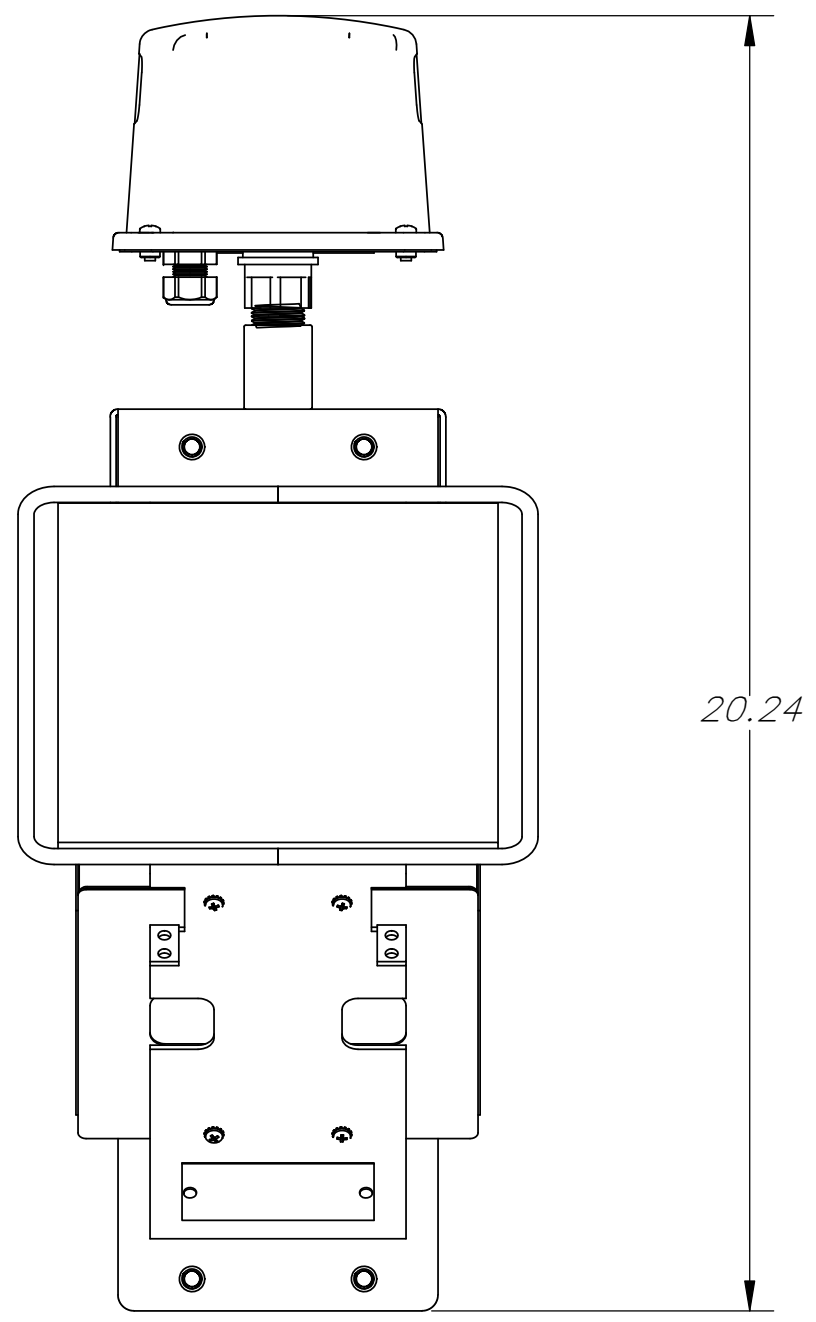
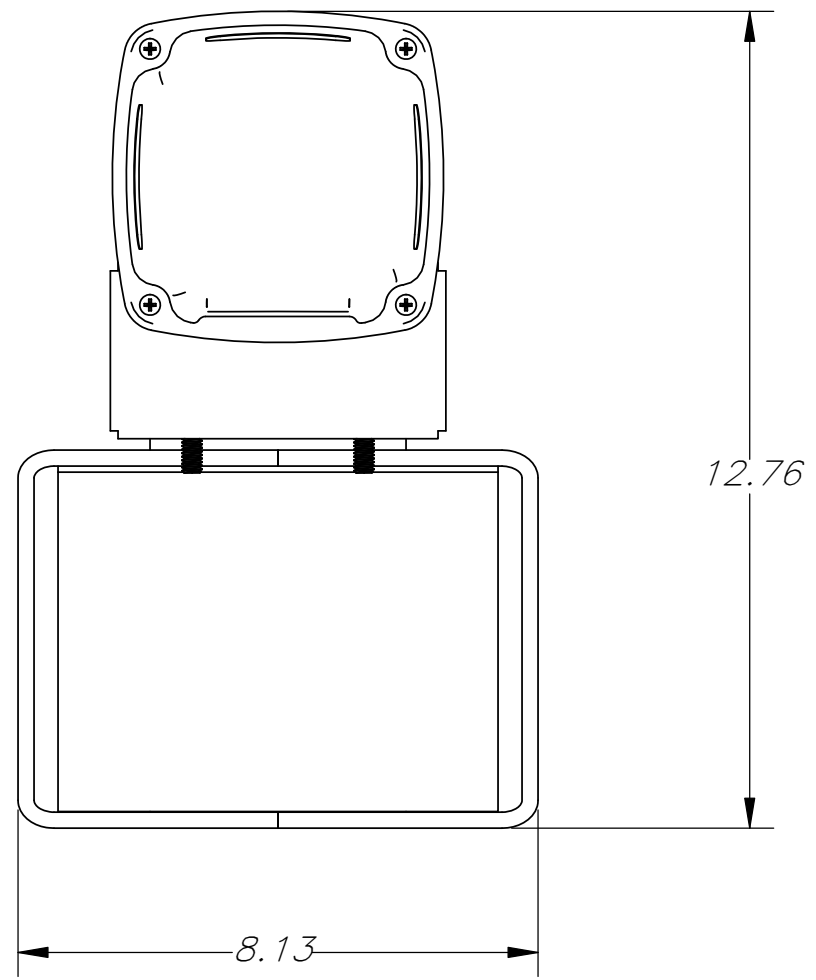


REVISIONS				
ZONE	REV.	DESCRIPTION	DATE	APPROVED



PROPRIETARY AND CONFIDENTIAL
 THE INFORMATION CONTAINED IN THIS
 DRAWING IS THE SOLE PROPERTY OF
 SIGNALFIRE TELEMETRY. ANY
 REPRODUCTION IN PART OR AS A WHOLE
 WITHOUT THE WRITTEN PERMISSION OF
 SIGNALFIRE TELEMETRY IS
 PROHIBITED.

		UNLESS OTHERWISE SPECIFIED:	NAME	DATE
		DIMENSIONS ARE IN INCHES	DRAWN	R. GROUNDS 09/26/17
		TOLERANCES:	CHECKED	S. KELLER XX/XX/XX
		FRACTIONAL $\pm 1/64$	ENG APPR.	S. KELLER XX/XX/XX
		ANGULAR: MACH: 7° BEND $\pm 1/2^{\circ}$	MFG APPR.	S. KELLER XX/XX/XX
		TWO PLACE DECIMAL $\pm .01$	Q.A.	S. KELLER XX/XX/XX
		THREE PLACE DECIMAL $\pm .005$	COMMENTS:	
		INTERPRET GEOMETRIC TOLERANCING PER:		
		MATERIAL:		
		FINISH:		
NEXT ASSY	USED ON	APPLICATION		
		DO NOT SCALE DRAWING		

SignalFire Telemetry

TITLE:
*SENTINEL HC-SOLAR
 WITH POLE MOUNT KIT*

SIZE	DWG. NO.	REV
C	965-0004-01	A
SCALE: 1:3	WEIGHT:	SHEET 1 OF 1