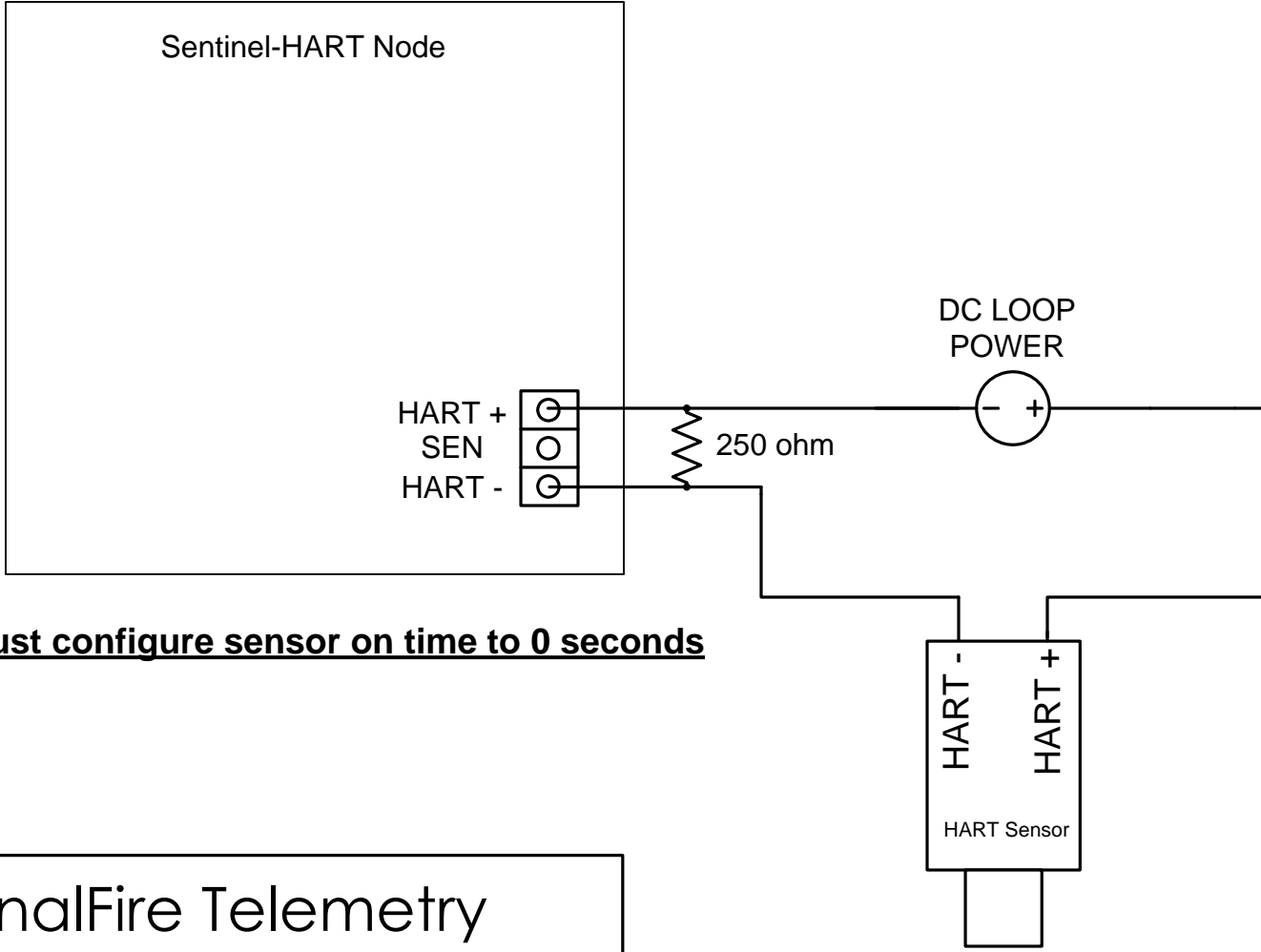



SignalFire Sentinel-HART External HART Loop Power Wiring Diagram



Must configure sensor on time to 0 seconds

Configure as HART ID 1

 **System is not Intrinsically Safe in this configuration**

| | |
|-----------------------------|------------------------------|
| SignalFire Telemetry | |
| Part Name | Sentinel-HART External Power |
| Date | 6/16/16 |
| Part Number | Rev C |
| Material | |